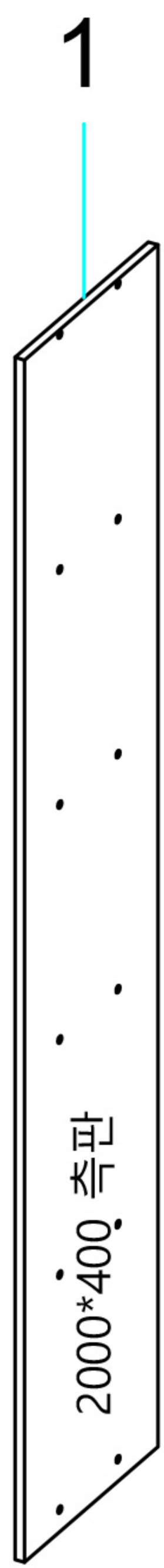
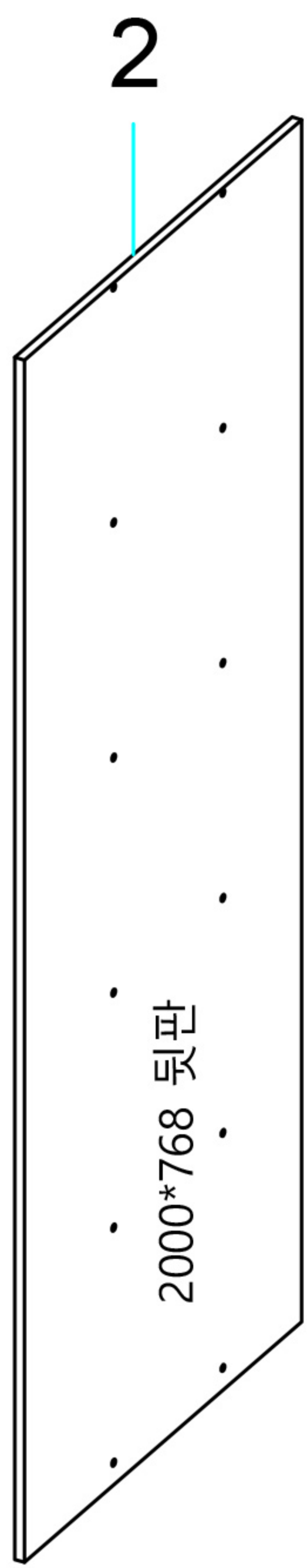


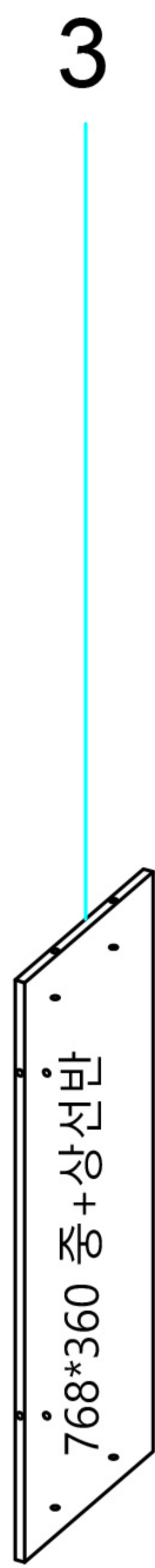
(부속)



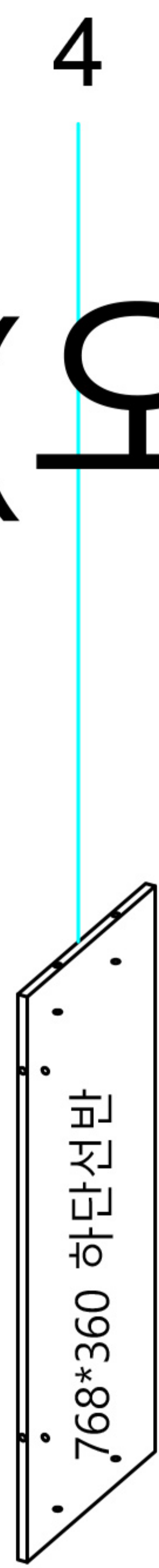
X2



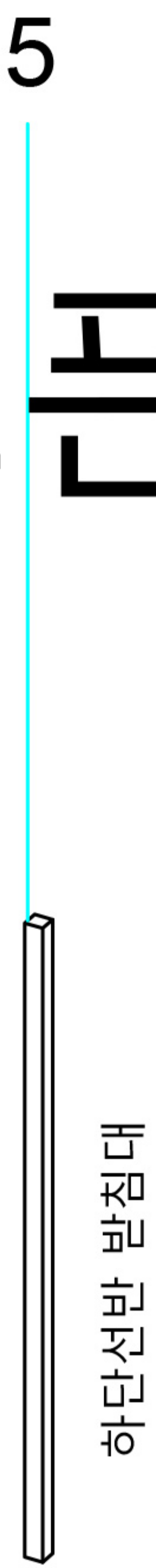
X1



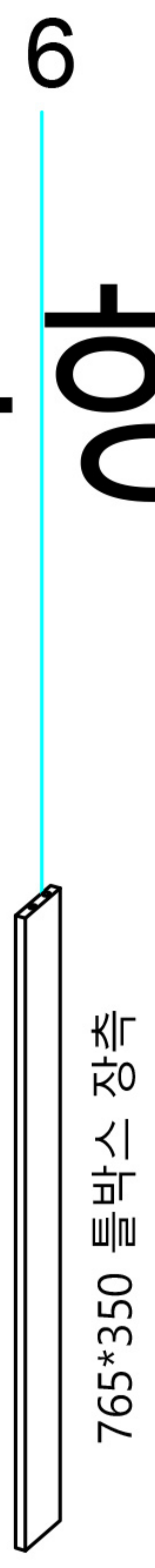
X5



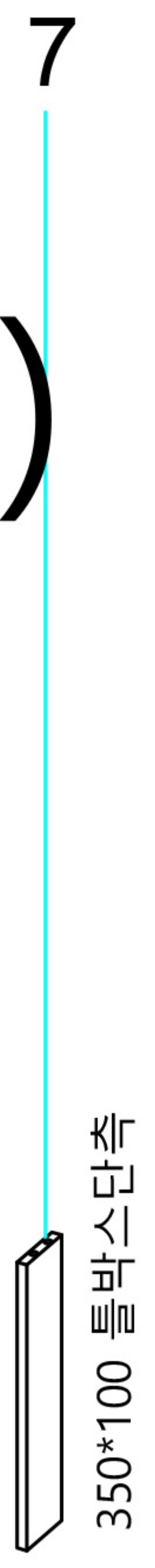
X1



X1



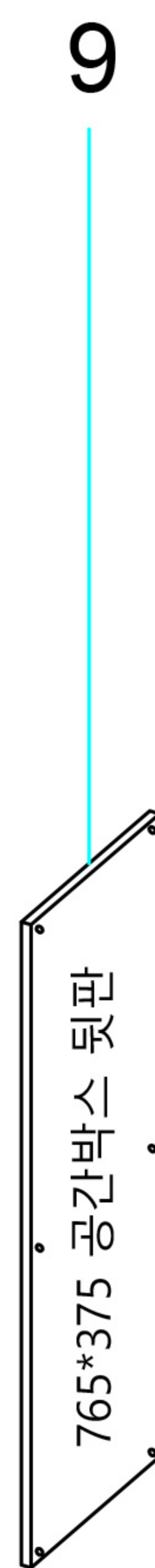
X2



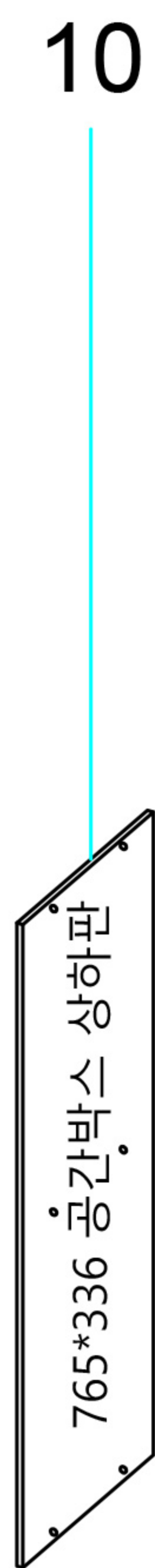
X2



X1



X1



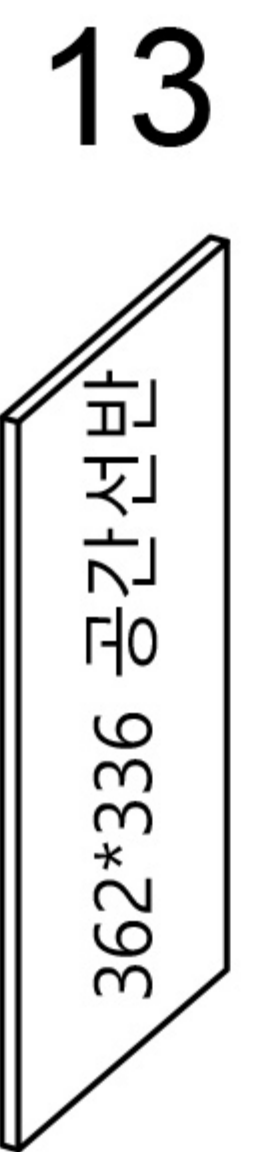
X2



X2



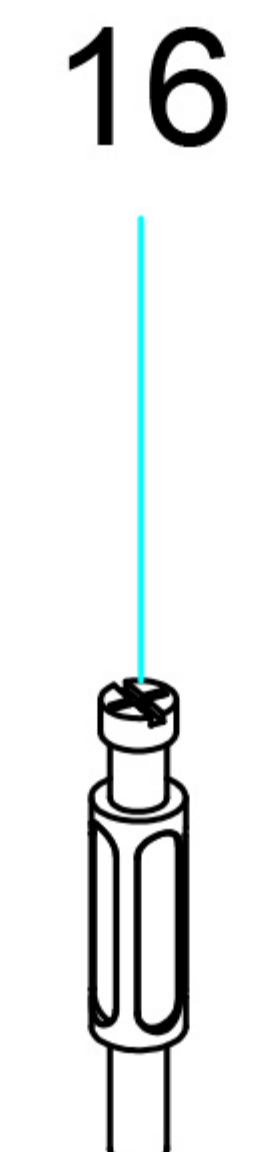
X1



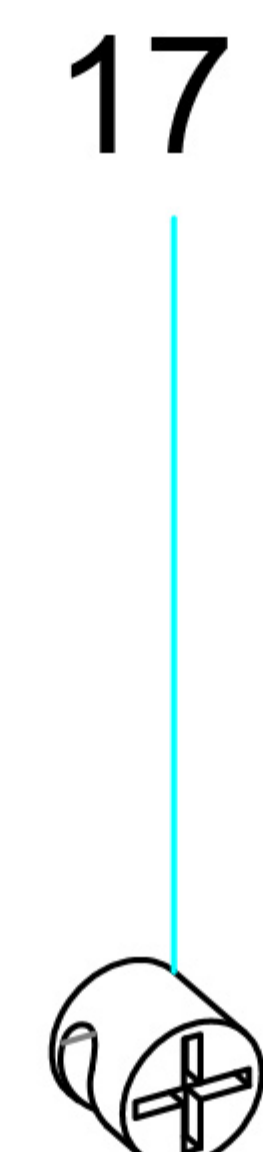
X2



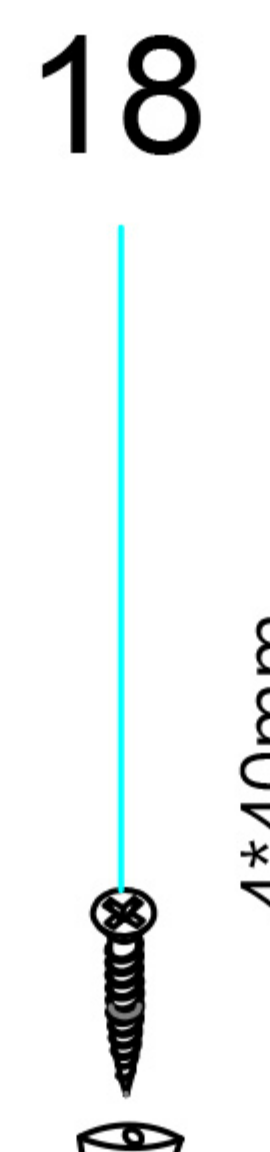
X6



X60



X60



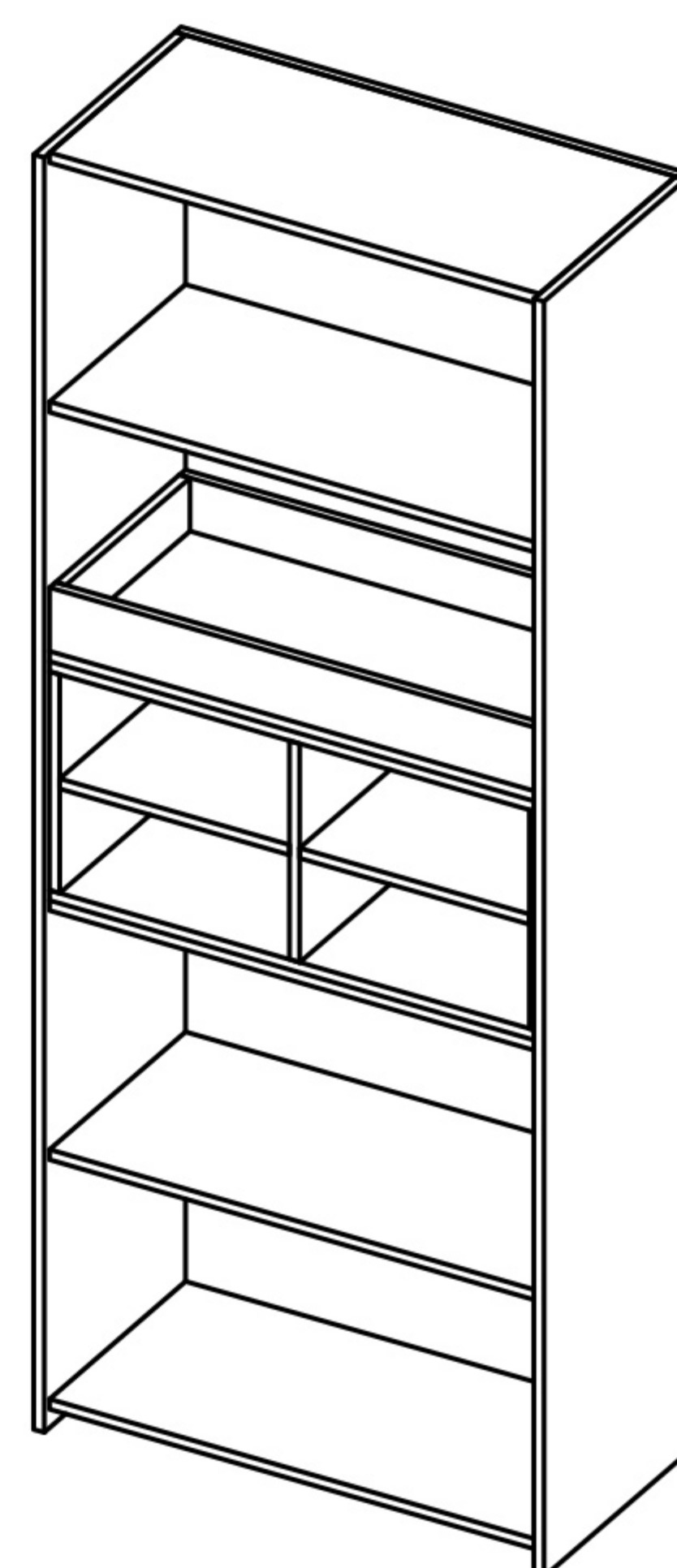
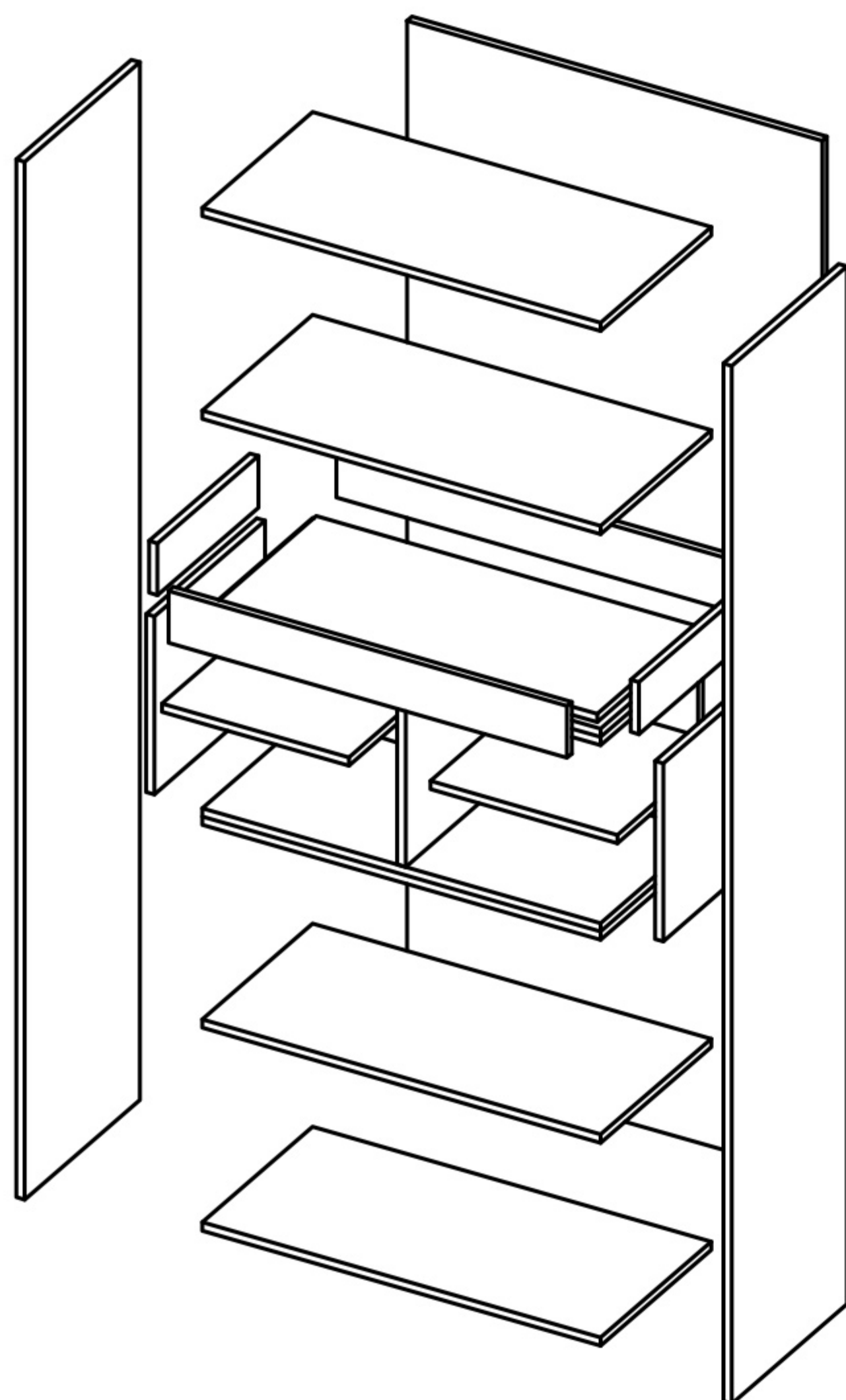
X2



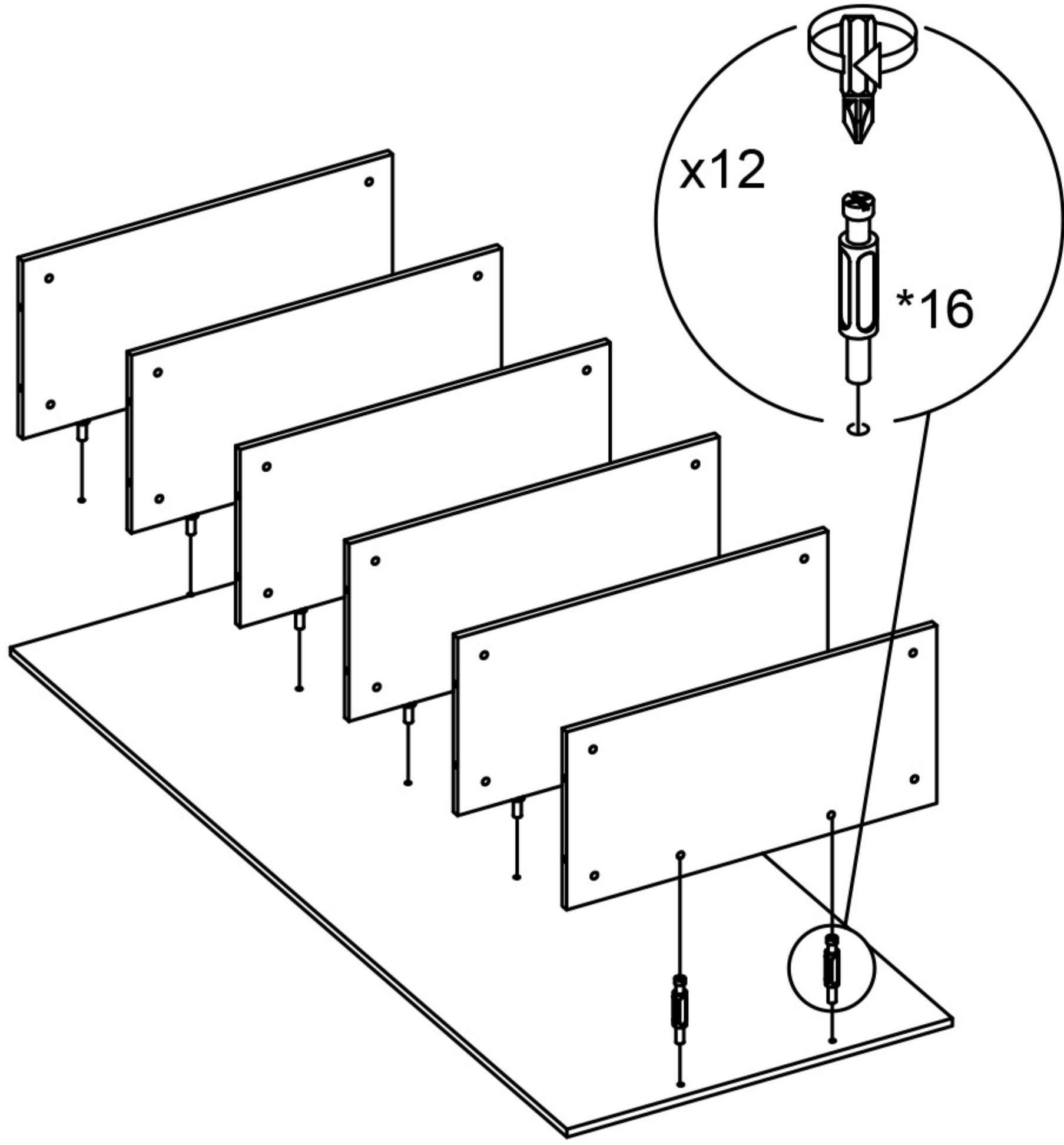
X6



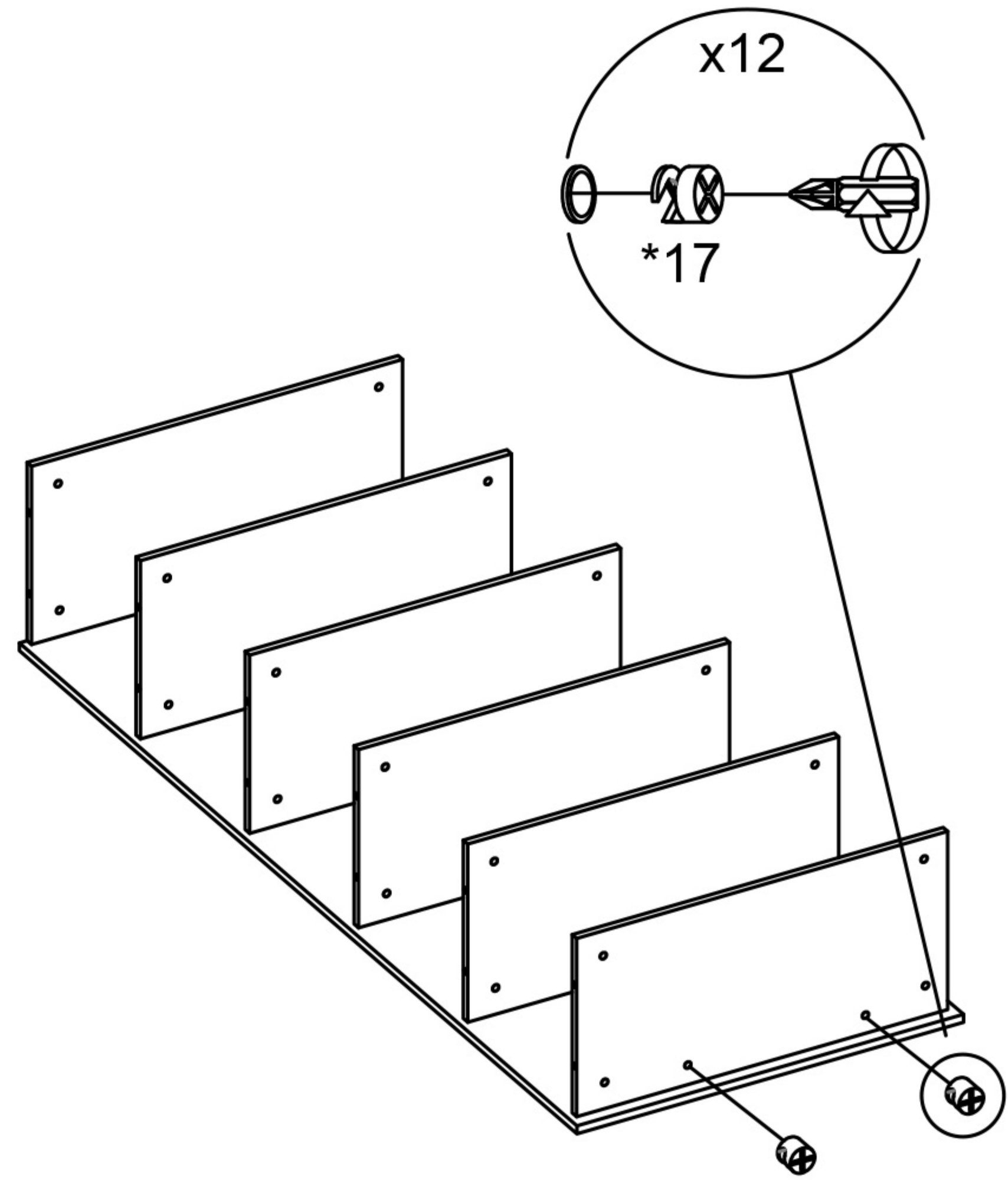
X18



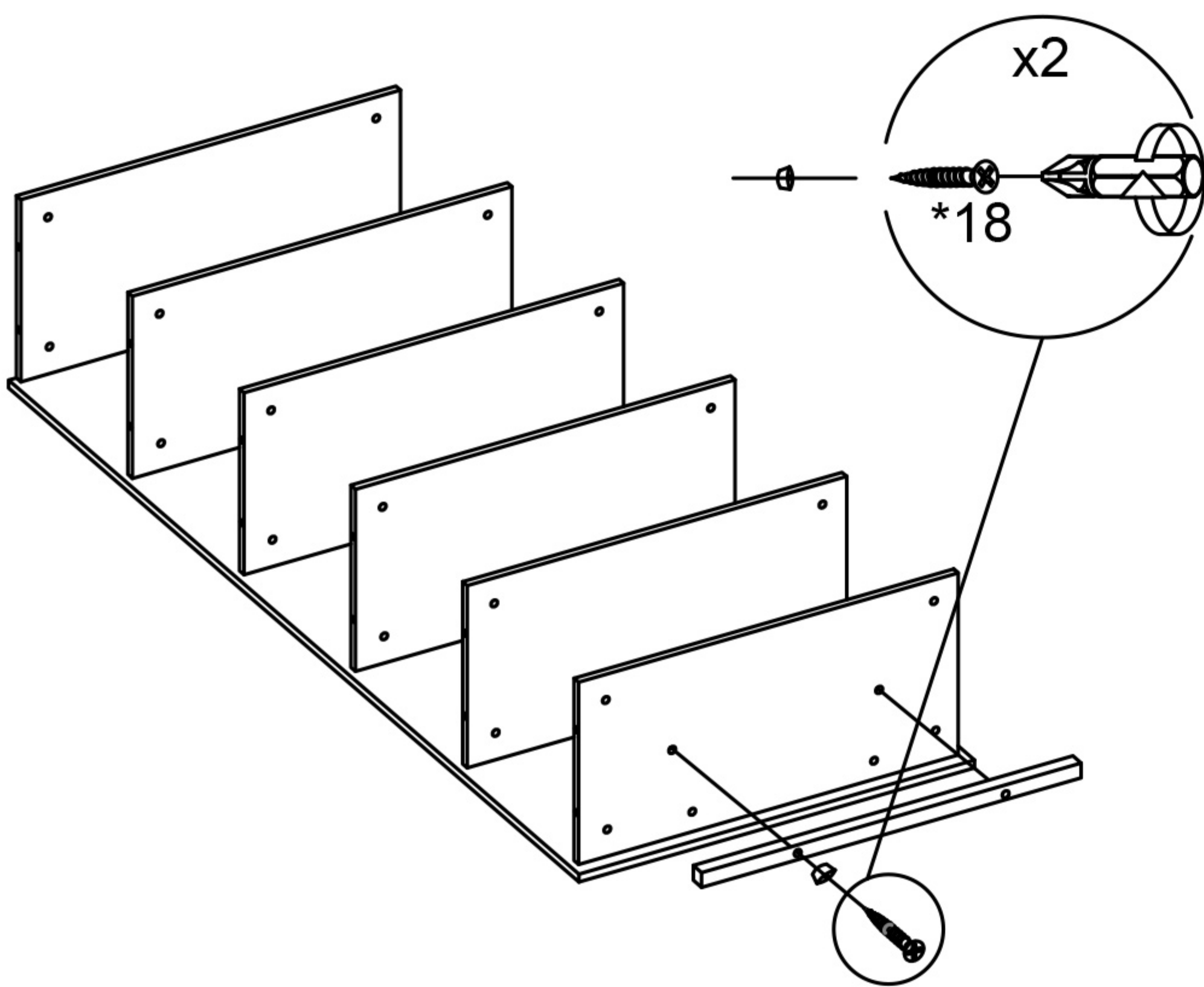
STEP 1



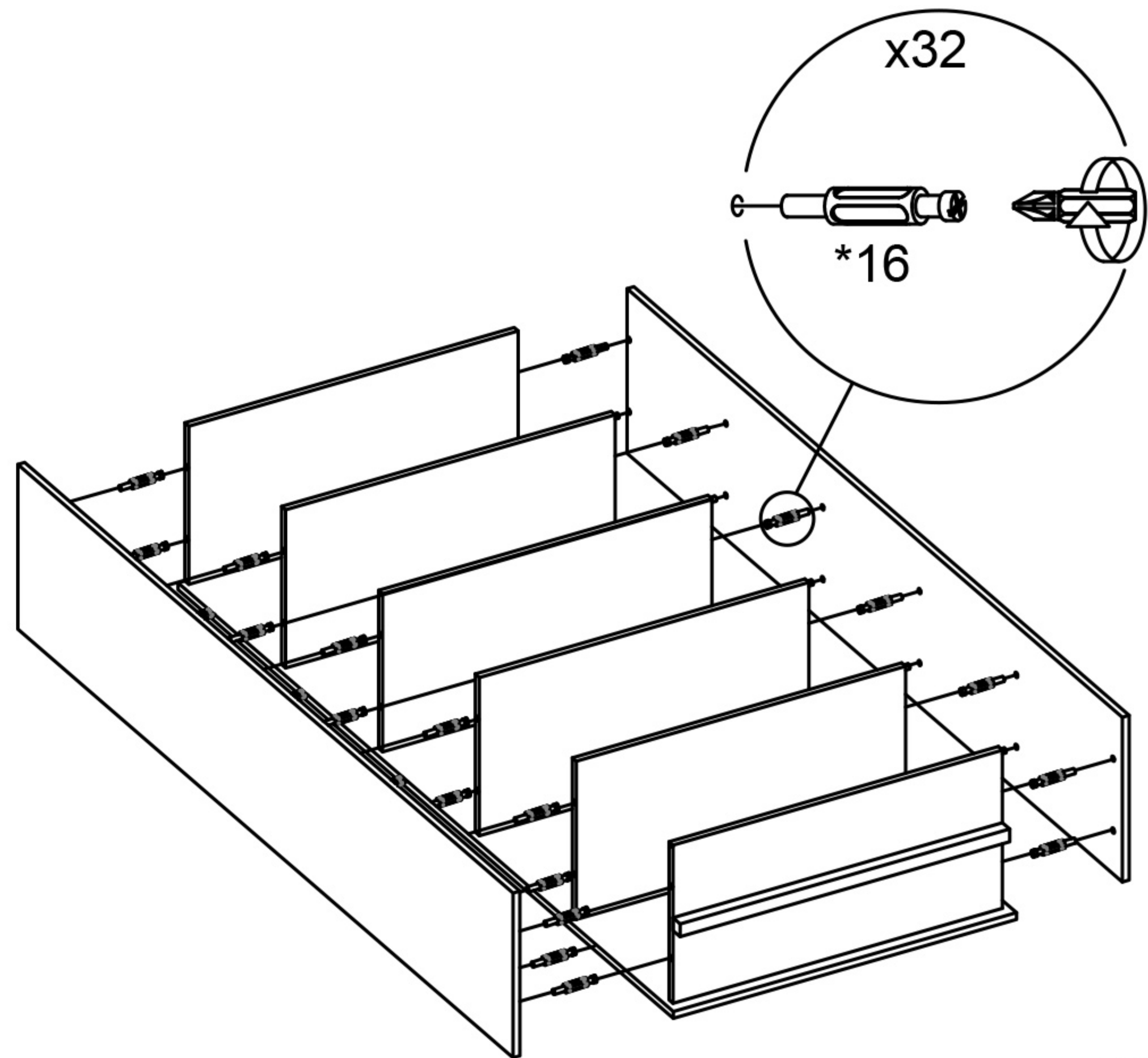
STEP 2



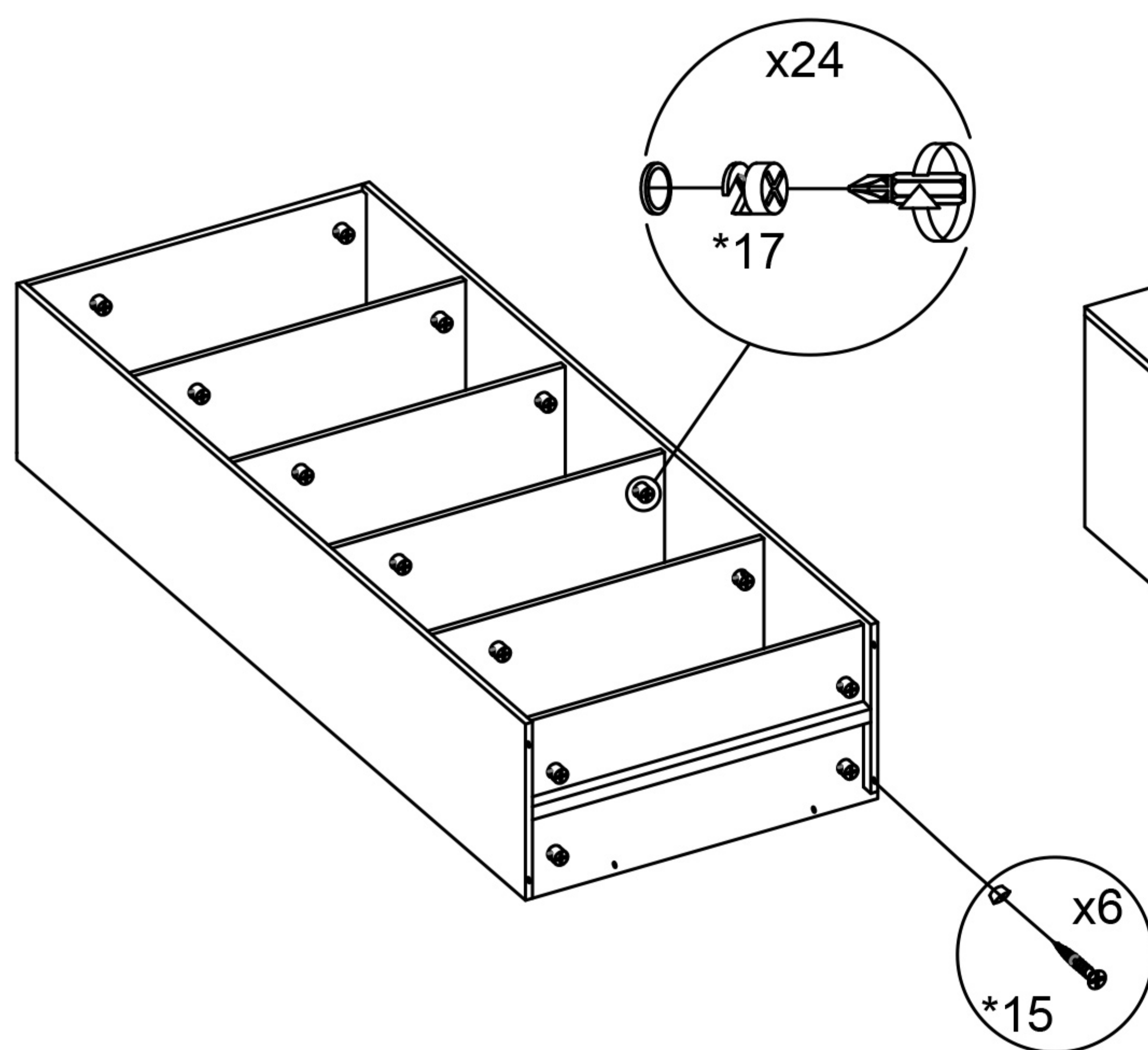
STEP 3



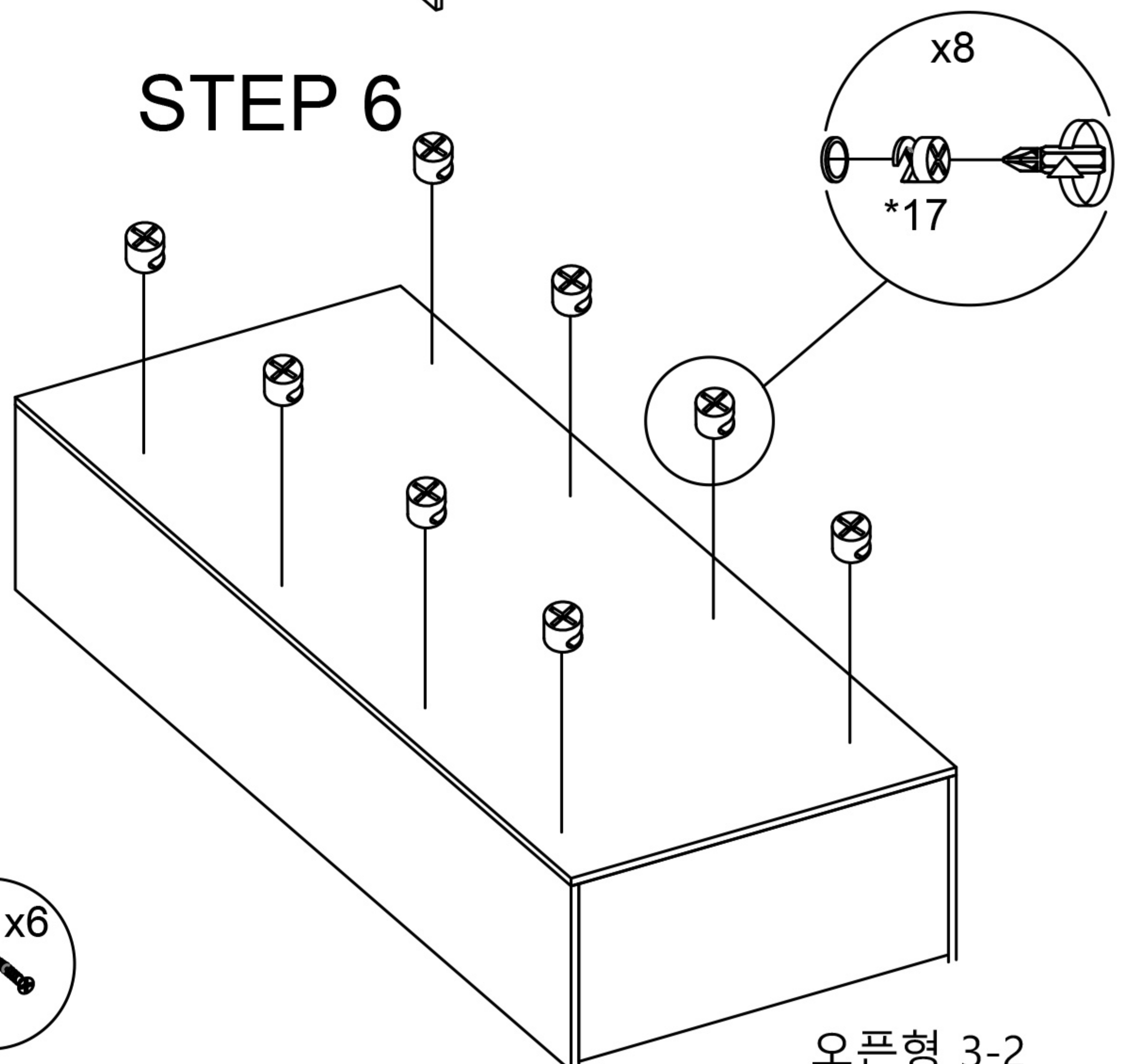
STEP 4



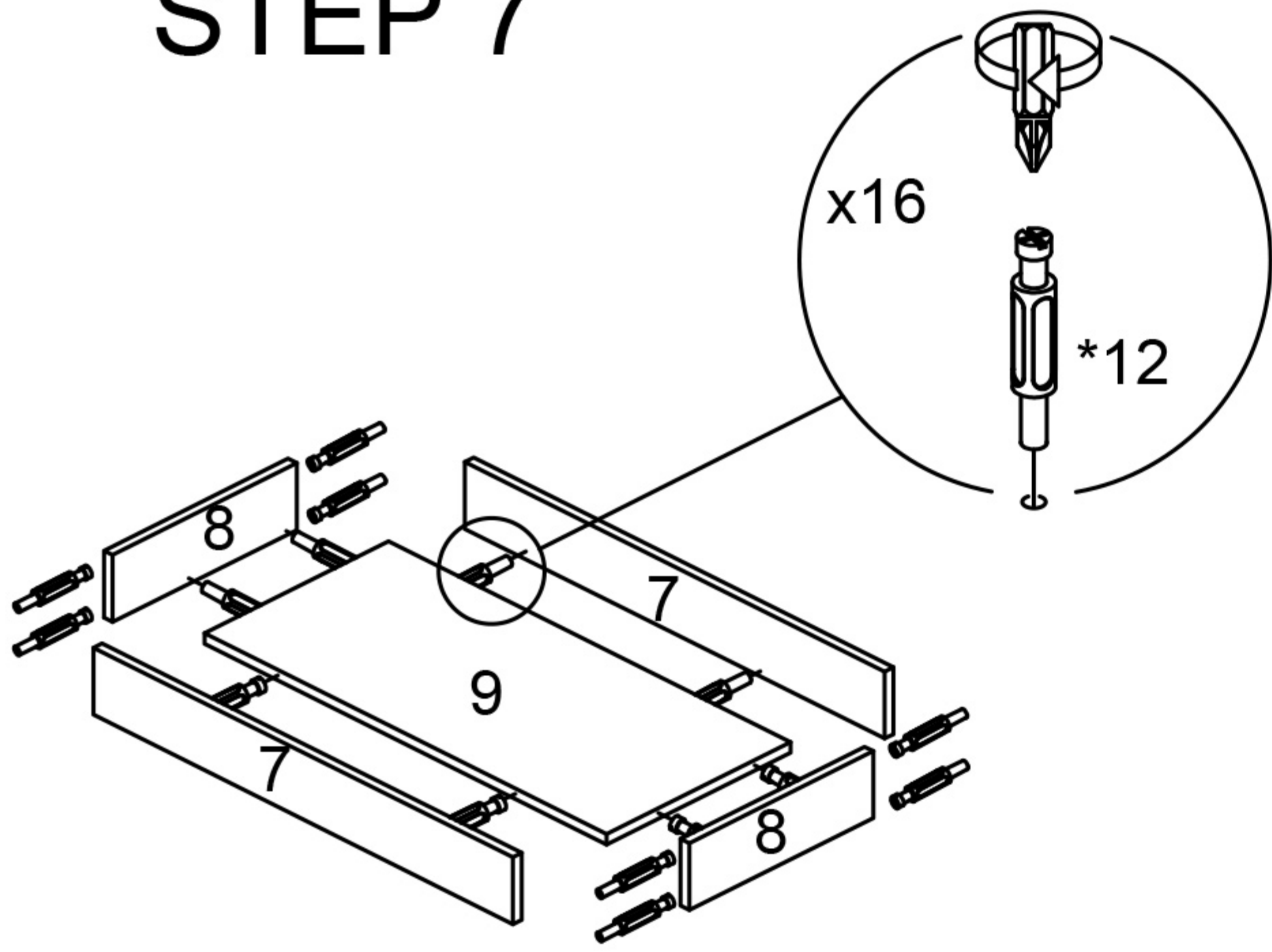
STEP 5



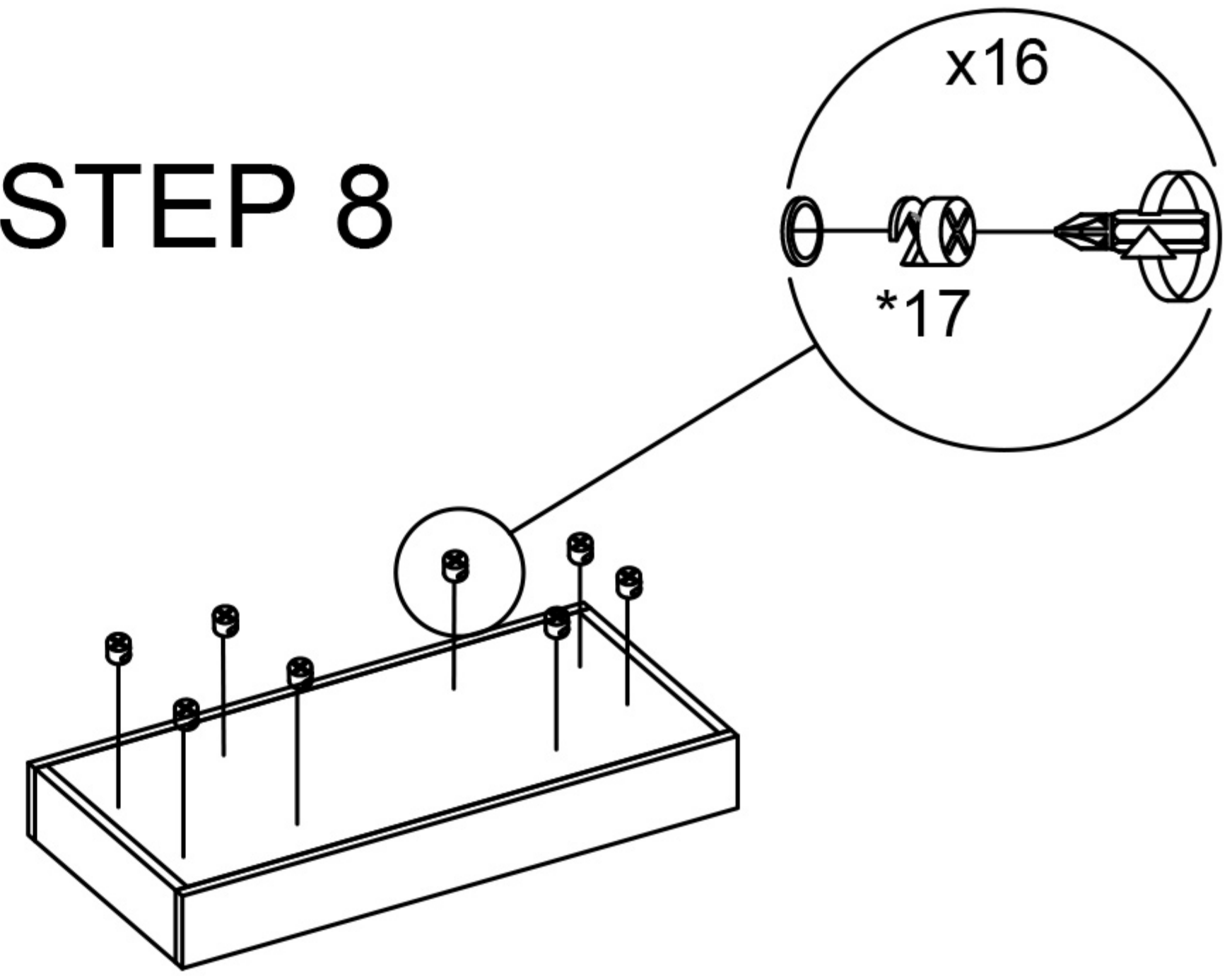
STEP 6



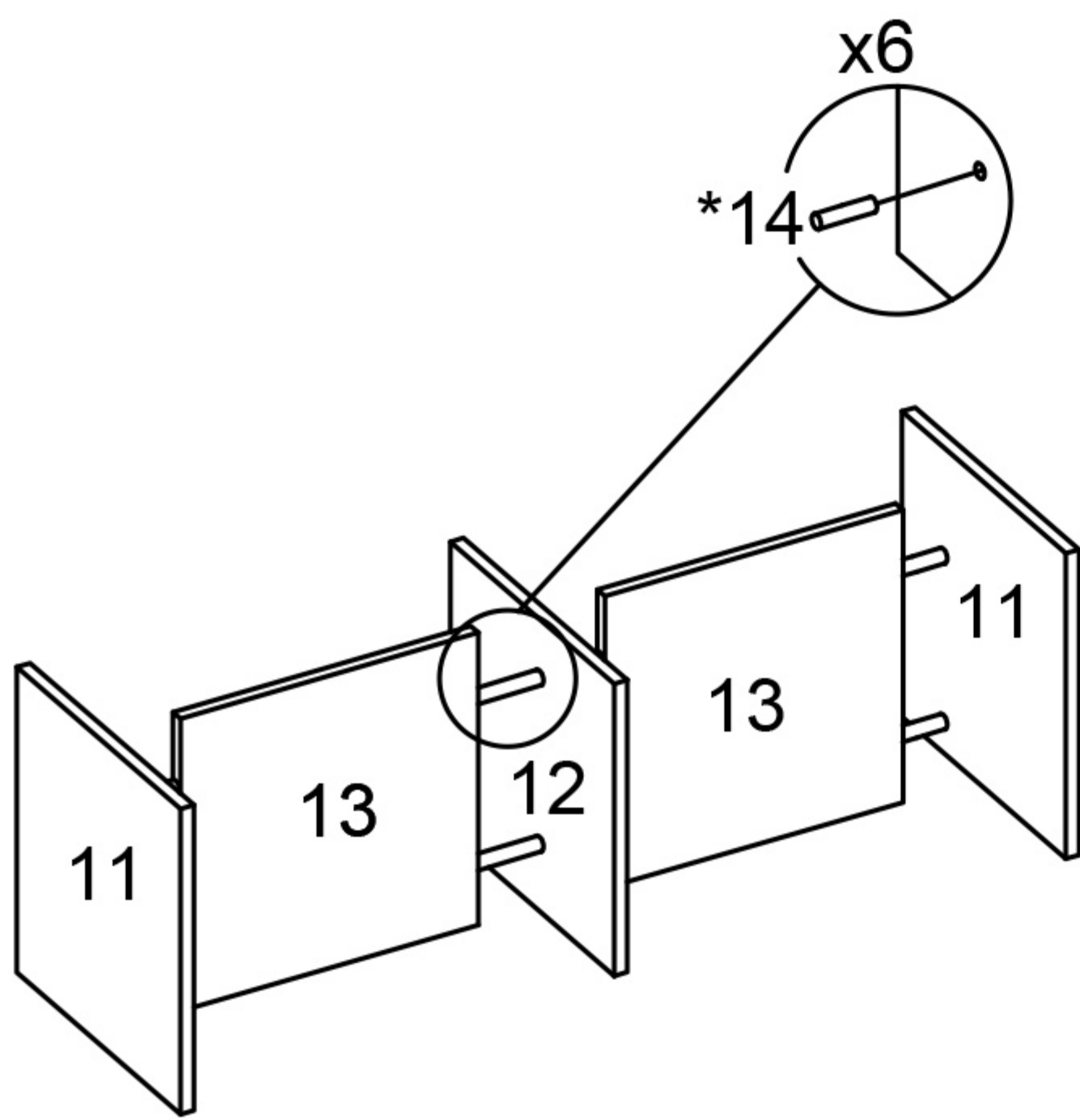
STEP 7



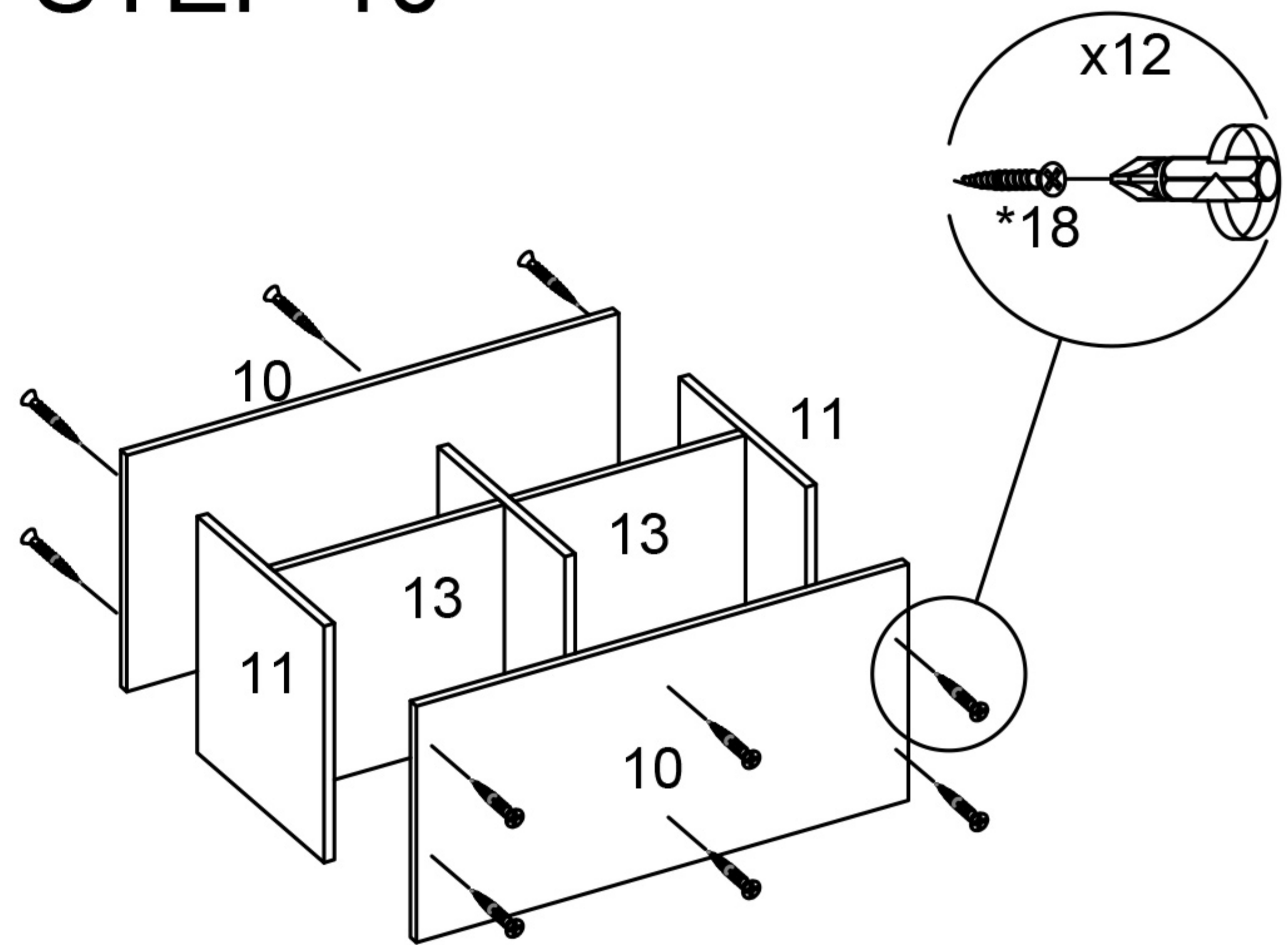
STEP 8



STEP 9



STEP 10



STEP 12

STEP 11

