

# ASSEMBLY INSTRUCTION

## MODEL: FLORENCE CHAIR

Read this instruction carefully. Remove all wrapping material, staples and straps from the carton. See hardware and furniture part list for guidance. Be sure you have all wooden furniture parts on a clean and flat soft surface, such as a carpet or rug, to prevent from being scratched.

### CAUTION:

1. Do Not FULLY - TIGHTEN the nut or screw until all is ready to assemble.
2. Do Not OVER - TIGHTEN the nut or screw to avoid causing damages to the tread.
3. Keep all hardware part out reach of children.

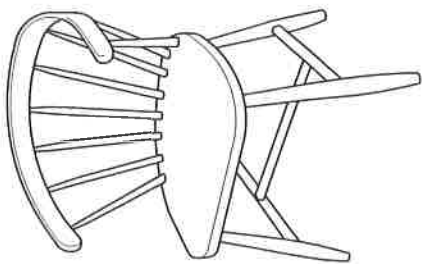
### Part List

No.	Description	Qty.
A	Seat Frame	1 pc
B	Leg Frame R/L	2 pcs
C	Center Stretcher	1 pc

### Hardware List

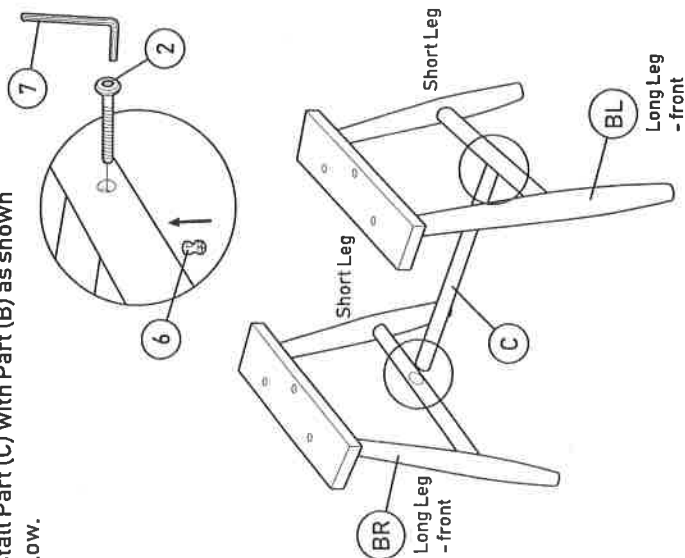
No.	Description	Qty.
1	JCBC-W M7 x 40mm	6 pcs
2	JCBC M6 x 50mm	2 pcs
3	Spring Washer M6	6 pcs
4	Flat Washer M6	6 pcs

No.	Description	Qty.
5	Wooden Button Ø13.5	2 pcs
6	Barrel Nuts	2 pcs
7	Allen Key M4	1 pc



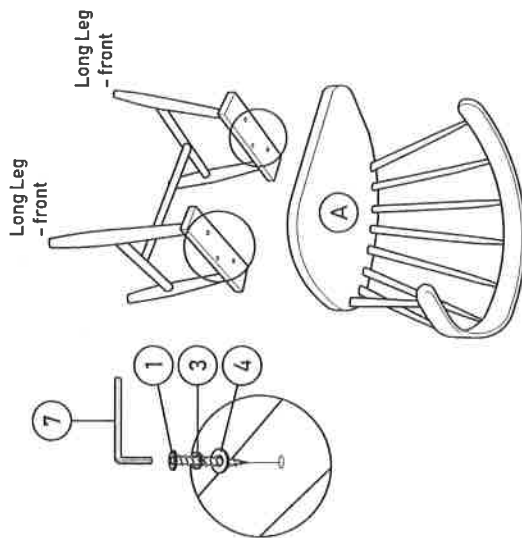
### Step 1

Install Part (C) with Part (B) as shown below.



### Step 2

Install previous assemble with Part (A) as shown below. Make sure the long leg attach forward before assemble.



### Step 3

Lastly, install item (5) after tighten all hardware.

